

Product information presented here reflects conditions at time of publication. Consult factory regarding discrepancies or inconsistencies.

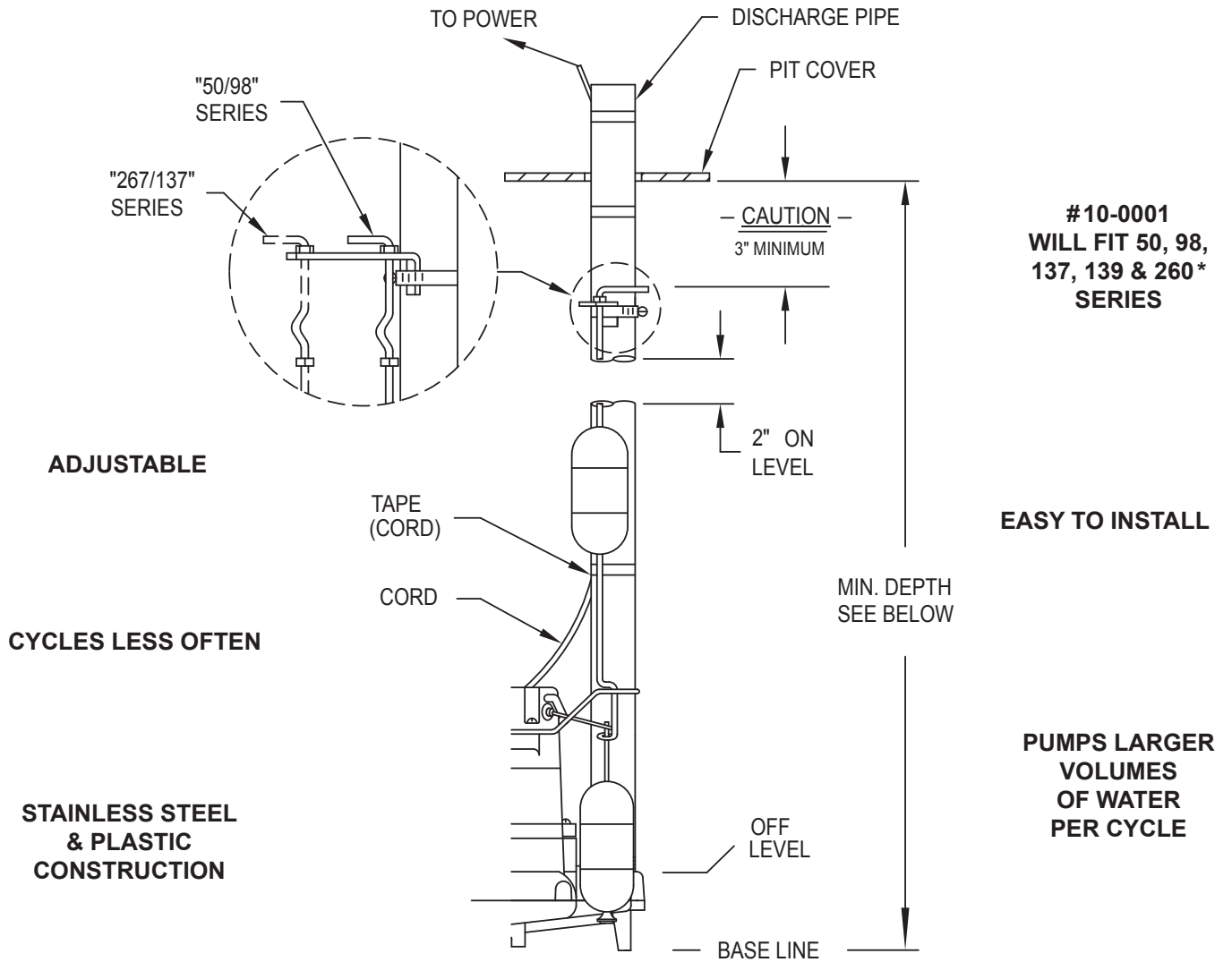
**PUMP COMPANY**

Zoeller Family of Water Solutions™

MAIL TO: P.O. BOX 16347 • Louisville, KY 40256-0347  
 SHIP TO: 3649 Cane Run Road • Louisville, KY 40211-1961  
 (502) 778-2731 • 1 (800) 928-PUMP • FAX (502) 774-3624

visit our web site:  
[www.zoeller.com](http://www.zoeller.com)

**LONG CYCLE KIT - MODEL 10-0001  
 FOR DEWATERING APPLICATIONS ONLY (SEE \* NOTE)**



SERIES PUMPS	MIN. PIT DEPTH	MAX. ON POINT	MIN. OFF POINT	MIN. ON POINT
53,55,57,59,98	43"	35"	3"	6"
137,139,260*	45"	36"	3"	7"

\*DO NOT USE LONG CYCLE KIT WITH THE 260 SERIES IN SEWAGE APPLICATIONS.