

Your Peace of Mind is Our Top Priority®

Product information presented here reflects conditions at time of publication. Consult factory regarding discrepancies or inconsistencies.



PUMP COMPANY

Zoeller Family of Water Solutions™

MAIL TO: P.O. BOX 16347 • Louisville, KY 40256-0347
SHIP TO: 3649 Cane Run Road • Louisville, KY 40211-1961
(502) 778-2731 • 1 (800) 928-PUMP • FAX (502) 774-3624

SECTION: 2.45.020

FM1494

0916

Supersedes

0310

visit our web site:
www.zoeller.com

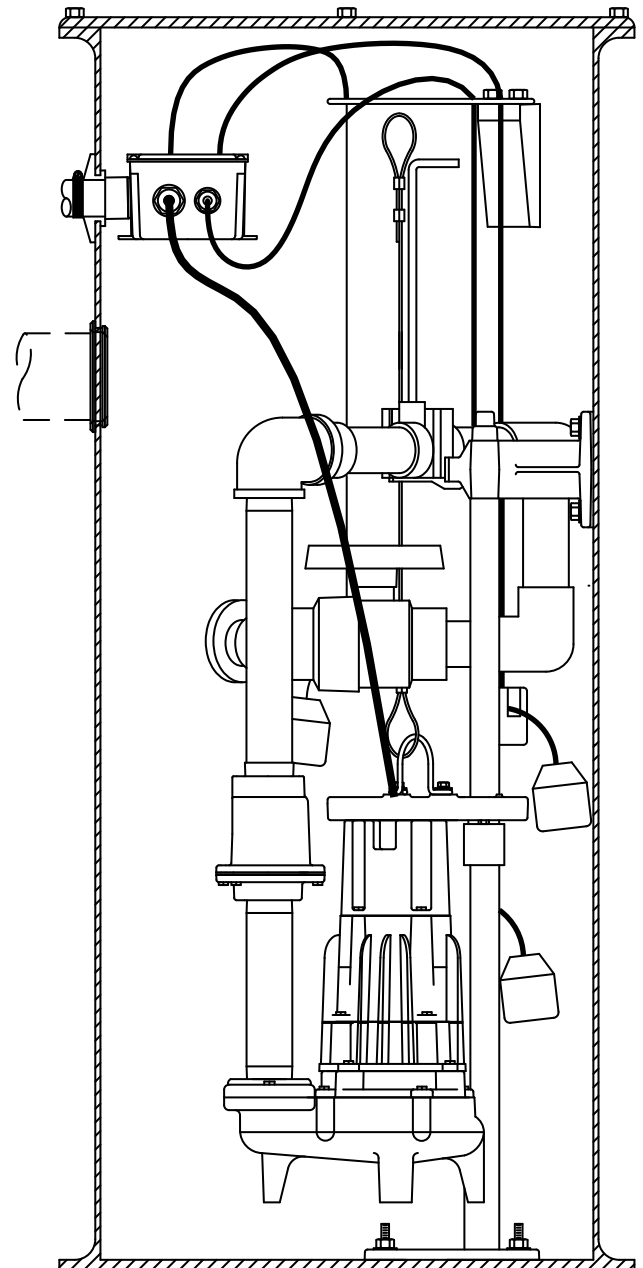


SEWAGE AND EFFLUENT SUBMERSIBLE PUMPS



PACKAGED SYSTEMS *SIMPLEX* *DUPLEX*

- **BASINS**
- **RAIL SYSTEMS**
- **CONTROLS**
- **ACCESSORIES**



Note: All variable level float switches in this section are mechanically activated and do not contain mercury.

SEWAGE AND EFFLUENT SYSTEM COMPONENTS

(A) SEWAGE & EFFLUENT PUMPS

STANDARD FEATURES:

- Cast Iron Construction.
- Non-clog Vortex Impellers.
- Submersible.
- Hermetically Sealed Oil-Filled Motors.
- Carbon/Ceramic Shaft Seals.
- Stainless Steel Nuts, Bolts and Lifting Handle.
- Neoprene Gasket and Seals.
- 1-1/2" or 2" NPT Discharge.
- Thermal Overload Protection - Single Phase.
- UL Listed Power Cord.
- Available with single or double seals.

OPTIONS:

- Longer Power Cords.

(B) CONTROLS

SIMPLEX STANDARD FEATURES:

- Piggyback Float Switches with Qwik-Box connection for 115V & 230V, Single Phase pumps up to 13 Amps.
- Hard wired Connection with Junction Box and Double Float Switches on 200V and 230V Single Phase Pumps up to 15 Amps.
- NEMA 4X Control Panel with Motor Contactor and HOA Switch* Includes Float Switches.
- NEMA 4X Control Panel with Alarm, Silence and Test Switch, Circuit Breakers, Motor Contactor and lockable latches on all 3 phase pump control panels.

DUPLEX STANDARD FEATURES:

- NEMA 4X Control Panel with alternator circuit. UL Listed.**
- HOA Switch and Run Light.
- Audible Alarm and Test Switch.
- Motor Contactor and Circuit Breakers.
- Adjustable Overload for 3 Phase Pumps.
- Auxiliary Contacts.
- Lockable Latch.

OPTIONS:

- NEMA 1 or NEMA 4X Alarm for Single Phase Simplex Systems.
- NEMA 1 Enclosure for indoor Duplex Systems.
- 3 or 4 Float System for Duplex Alternator Panels.

*See FM1228 to select simplex panels.

**See FM0712 to select duplex panels.

(C)* VARIABLE LEVEL FLOAT SWITCHES

3 Switches with Weights and Brackets.

- P/N 10-0329 WGT. 10.0

4 Switches with Weights and Brackets.

- P/N 10-0330 WGT. 14.0

1 Weight and Bracket only.

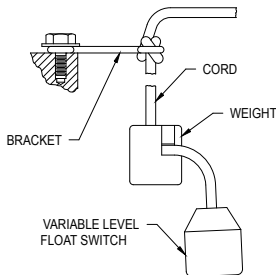
- P/N 10-0661 WGT. 2.0

3 Weights and Brackets only.

- P/N 10-1366 WGT. 6.5

4 Weights and Brackets only.

- P/N 10-1367 WGT. 8.5



Note: All variable level float switches in this section are mechanically activated and do not contain mercury.

SK1328

(D) JUNCTION BOXES - TYPE 4X

SIMPLEX

4 Holes with Seals for (1) Power Cord, (3) Float Switch Cords.

- P/N 10-0647 WGT. 2.5

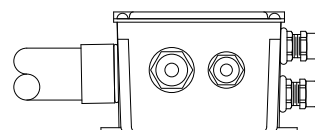
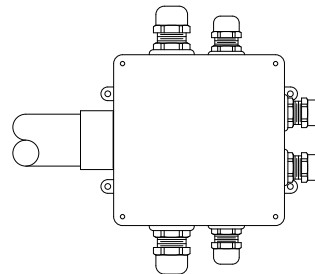
DUPLEX

5 Holes with Seals for (2) Power Cords, (3) Float Switch Cords.

- P/N 10-0648 WGT. 2.5

6 Holes with Seals for (2) Power Cords, (4) Float Switch Cords.

- P/N 10-0649 WGT. 2.5



SK1331

(E) RAIL SYSTEMS (FIELD INSTALLED)

(FIELD INSTALLED FITS BOTH ROUND AND SQUARE BASINS)

- 1-1/2" or 2" Discharge Pipe.
- Stainless Steel Square Guide Rail.
- PVC Ball Valve.
- Cast Iron Check Valve.

1-1/2" DISCHARGE

BASIN DEPTH

- 48" P/N 39-0060 WGT. 91.5
- 60" P/N 39-0061 WGT. 95.5
- 72" P/N 39-0062 WGT. 99.5

2" DISCHARGE

BASIN DEPTH

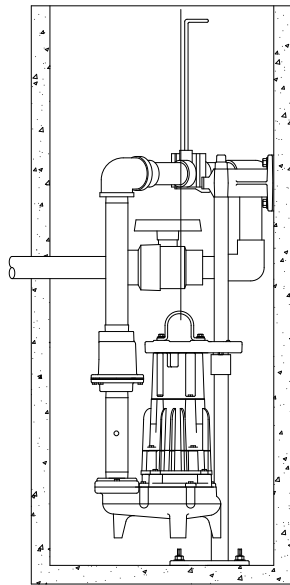
- 48" P/N 39-0063 WGT. 92.5
- 60" P/N 39-0064 WGT. 96.5
- 72" P/N 39-0065 WGT. 100.5

280/4280 SERIES PUMP

(2" DISCHARGE)

BASIN DEPTH

- 48" P/N 39-0066 WGT. 92.5
- 60" P/N 39-0067 WGT. 96.5
- 72" P/N 39-0068 WGT. 100.5



SK1650

Z-Rail® Disconnect System for 1-1/2" & 2" pump discharges (Rail System discharge is 2" NPT male thread)

1-1/2" Galvanized Fitted.

- P/N 39-0131 WGT. 43.0

1-1/2" Stainless Steel Fitted.

- P/N 39-0132 WGT. 43.0

2" Galvanized Fitted.

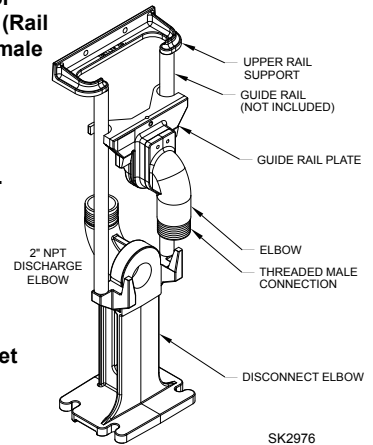
- P/N 39-0128 WGT. 45.0

2" Stainless Steel Fitted.

- P/N 39-0129 WGT. 45.0

Intermediate Stabilizer Bracket for every 12' of depth

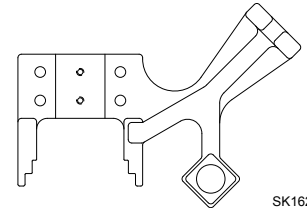
- P/N 39-0139 WGT. 6.0



SK2976

Basins over 72" deep require one additional angle arm bracket. Square guide rail only.

- P/N 39-0070 WGT. 11.0



SK1626

(F) PRE-ASSEMBLED OUTDOOR BASIN, COVER, AND RAIL SYSTEM - STANDARD EQUIPMENT

- Fiberglass Basin with Anti-flotation Ring
- Fiberglass Cover
- 4" Rubber Inlet Pipe Seal (field installed)
- 1-1/2" or 2" Discharge Pipe
- Stainless Steel Square Guide Rail
- 8' SS Lifting Cable for 84" Basin / 12' SS Lifting Cable for 96" Basin
- 1' Pull Rod
- Cast Iron Check Valve
- PVC Ball Valve

SIMPLEX

(1-1/2" DISCHARGE)

- 24" x 60" P/N 33-0064 WGT. 179
- 24" x 72" P/N 33-0065 WGT. 192
- 24" x 84" P/N 33-0066 WGT. 223
- 24" x 96" P/N 33-0067 WGT. 236

(2" DISCHARGE)

- 24" x 60" P/N 33-0104 WGT. 180
- 24" x 72" P/N 33-0105 WGT. 193
- 24" x 84" P/N 33-0106 WGT. 224
- 24" x 96" P/N 33-0107 WGT. 237

280/4280 PUMP SERIES (2" DISCHARGE)

- 24" x 60" P/N 33-0144 WGT. 180
- 24" x 72" P/N 33-0145 WGT. 193
- 24" x 84" P/N 33-0146 WGT. 224
- 24" x 96" P/N 33-0147 WGT. 237

DUPLEX

(1-1/2" DISCHARGE)

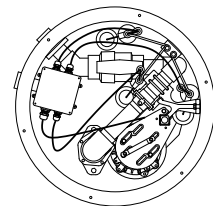
- 36" x 60" P/N 33-0078 WGT. 297
- 36" x 72" P/N 33-0079 WGT. 380
- 36" x 84" P/N 33-0080 WGT. 407
- 36" x 96" P/N 33-0081 WGT. 437

(2" DISCHARGE)

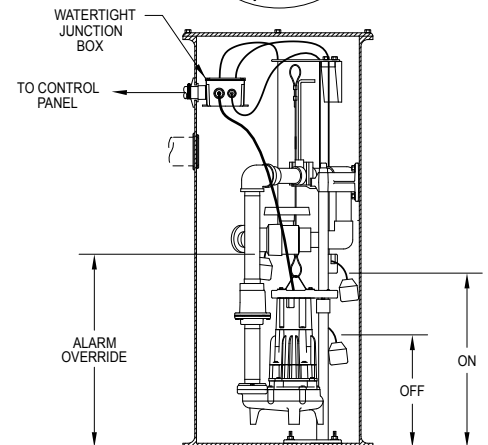
- 36" x 60" P/N 33-0118 WGT. 301
- 36" x 72" P/N 33-0119 WGT. 384
- 36" x 84" P/N 33-0120 WGT. 411
- 36" x 96" P/N 33-0121 WGT. 441

280/4280 PUMP SERIES (2" DISCHARGE)

- 36" x 60" P/N 33-0158 WGT. 301
- 36" x 72" P/N 33-0159 WGT. 384
- 36" x 84" P/N 33-0160 WGT. 411
- 36" x 96" P/N 33-0161 WGT. 441



SK1648



(G) 115V ALARM SYSTEMS



OUTDOOR INSTALLATIONS

NEMA 4X

- P/N 10-0126 WGT. 11

INDOOR/OUTDOOR INSTALLATIONS

- P/N 10-0623 WGT. 5



INDOOR INSTALLATIONS NEMA 1

- P/N 10-4011 WGT. 4

- P/N 10-4012*

*For sewage applications



(H) PULL RODS

1 Ft. "L".

- P/N 39-0069 WGT. 0.5

2-1/2 Ft. "L".

- P/N 39-0006 WGT. 1.0

3-1/2 Ft. "L".

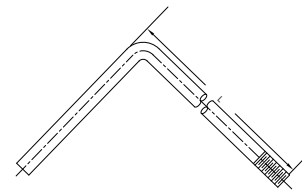
- P/N 39-0007 WGT. 1.5

4-1/2 Ft. "L".

- P/N 39-0008 WGT. 1.5

5-1/2 Ft. "L".

- P/N 39-0009 WGT. 2.0



005264

(I) SS LIFTING CABLE

8 Ft.

- P/N 39-0031 WGT. 1.0

12 Ft.

- P/N 39-0032 WGT. 1.0

16 Ft.

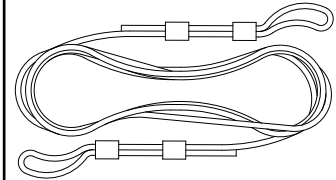
- P/N 39-0033 WGT. 1.5

20 Ft.

- P/N 39-0034 WGT. 1.5

24 Ft.

- P/N 39-0035 WGT. 2.0



SK1335

PREPACKAGED AND JOB READY SYSTEMS

SIMPLEX		DUPLEX	
REQ.		REQ.	
1 Pump	P/N _____ (A)	2 Pumps	P/N _____ (A)
1 Simplex Control	P/N _____ (B)	1 Duplex Control Panel	P/N _____ (B)
3 Weights and Brackets*	P/N <u>10-1366</u> (C)	3 Weights and Brackets*	P/N _____ (C)
1 Variable Level Float Switch**	P/N <u>10-0329</u> (C)	1 Variable Level Float Switch	P/N _____ (C)
1 Junction Box (optional)	P/N _____ (D)	1 Junction Box (optional)	P/N _____ (D)
1 Basin, Cover and Rail System	P/N _____ (F)	1 Basin, Cover and Rail System	P/N _____ (F)
1 Alarm System	P/N _____ (G)		

* Required when using a control panel similar to 10-1037 (simplex) or 10-1044 (duplex).

** Required with all 3 phase systems.

*** Not required when using a simplex control panel.

FIELD ASSEMBLED SYSTEMS

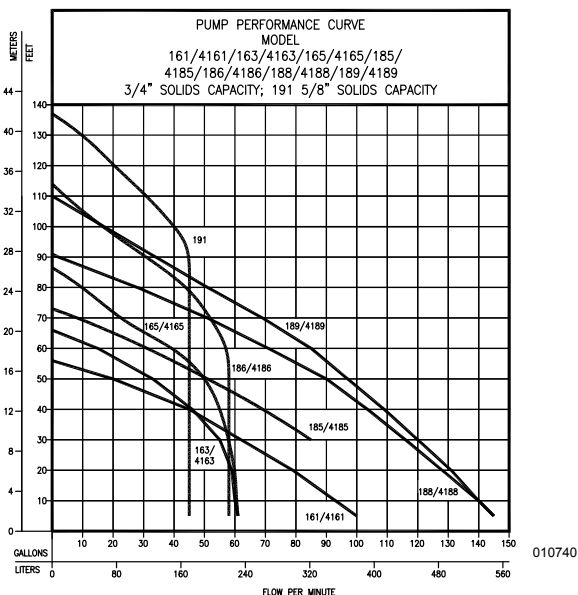
SIMPLEX		DUPLEX	
REQ.		REQ.	
1 Pump	P/N _____ (A)	2 Pumps	P/N _____ (A)
1 Simplex Control	P/N _____ (B)	1 Duplex Control Panel	P/N _____ (B)
3 Weights and Brackets*	P/N <u>10-1366</u> (C)	1 Variable Level Float Switch	P/N _____ (C)
1 Variable Level Float Switch**	P/N _____ (C)	1 Junction Box (optional)	P/N _____ (D)
1 Junction Box (optional)	P/N _____ (D)	2 Rail Systems	P/N _____ (E)
1 Rail System	P/N _____ (E)	2 Angle Arm Brackets (over 72")	P/N <u>39-0070</u> (E)
1 Angle Arm Bracket (over 72")	P/N <u>39-0070</u> (E)	2 Pull Rods	P/N _____ (H)
1 Alarm System***	P/N _____ (G)	2 S.S. Lifting Cables	P/N _____ (I)
1 Pull Rod	P/N _____ (H)		
1 S.S. Lifting Cable	P/N _____ (I)		

* Required when using a control panel with float switches included.

** Required with all 3 phase systems.

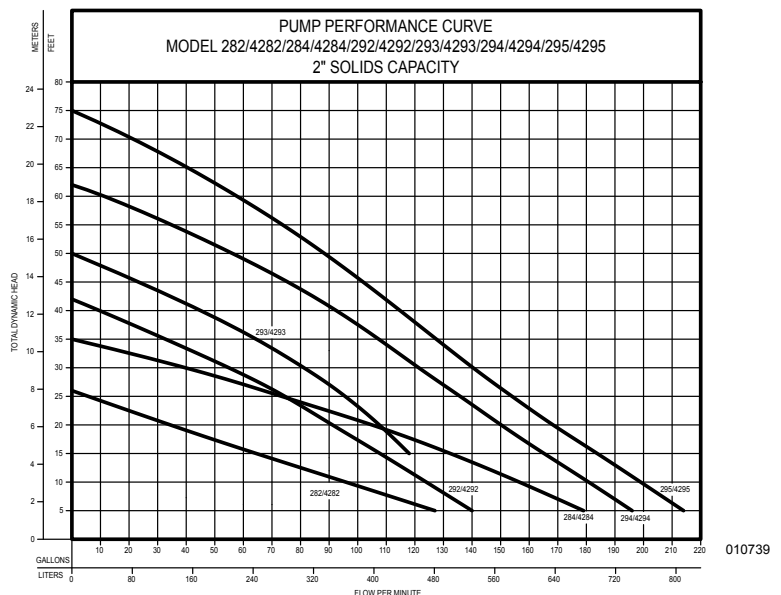
*** Not required when using a simplex control panel.

EFFLUENT PUMPS



010740

SEWAGE PUMPS



010739