



PUMP COMPANY

Zoeller Family of Water Solutions™

Professional Series Sump Pump Model 98

**Zoeller's time proven quality
and an industry fixture**

Features:

- 3-year warranty
- 2-pole mechanical switch
- 1/2 HP 115 V sump pump
- Performance up to 23' (7 m) TDH
- Flows up to 72 GPM (273 LPM)
- Cast iron switch case, base, motor and pump housing
- Corrosion-resistant, powder coated epoxy paint



100% factory tested

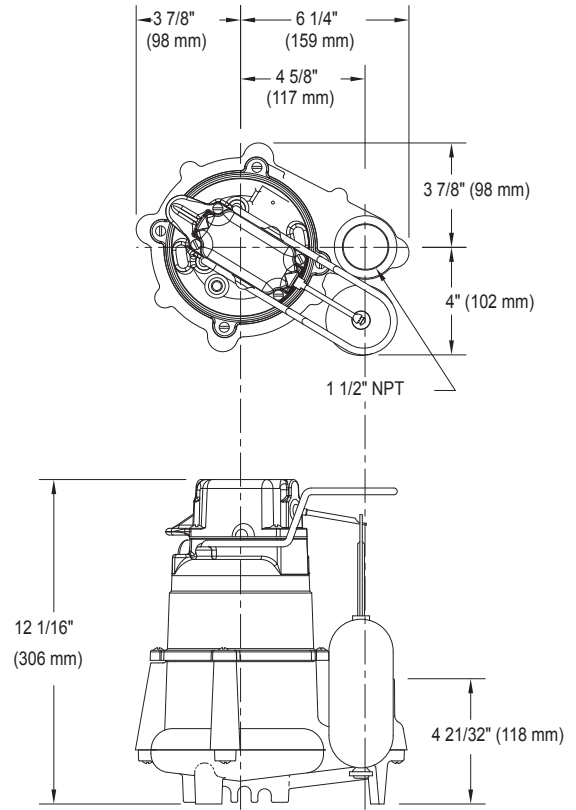


zoellerpumps.com

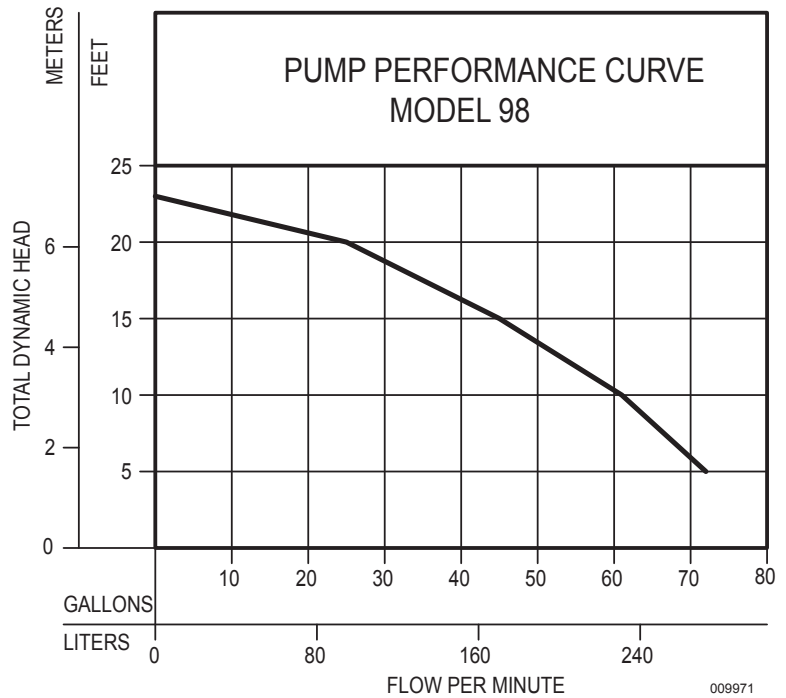
FM3012

PRODUCT SPECIFICATIONS

MOTOR	Horse Power	1/2
	Voltage	115 or 230
	Phase	1 Ph
	Hertz	60 Hz
	RPM	1725
	Type	Permanent split capacitor
	Insulation	Class B
	Amps	4.7 - 9.4
PUMP	Operation	Automatic or nonautomatic
	Auto On/Off Points	9-1/2" (24 cm) / 3" (7.6 cm)
	Discharge Size	1-1/2" NPT
	Solids Handling	1/2" (13 mm) spherical solids
	Cord Length	15' (5 m) standard
	Cord Type	UL listed
	Max. Head	23' (7 m)
	Max. Flow Rate	72 GPM (273 LPM)
	Max. Operating Temp.	130° F (54° C)
	Cooling	Oil filled
	Motor Protection	Auto reset thermal overload
MATERIALS	Cap	Cast iron
	Motor Housing	Cast iron
	Pump Housing	Cast iron
	Base	Cast iron
	Upper Bearing	Oil-fed cast iron
	Lower Bearing	Oil-fed cast iron
	Mechanical Seals	Carbon and ceramic
	Impeller Type	Non-clogging vortex
	Impeller	Engineered plastic
	Hardware	Stainless steel
	Motor Shaft	AISI 1215 cold rolled steel
	Gasket	Neoprene



98 automatic
SK1102



009971



© Copyright 2017 Zoeller® Co. All rights reserved.

502-778-2731 | 800-928-7867 | 3649 Cane Run Road | Louisville, KY 40211-1961 | www.zoeller.com